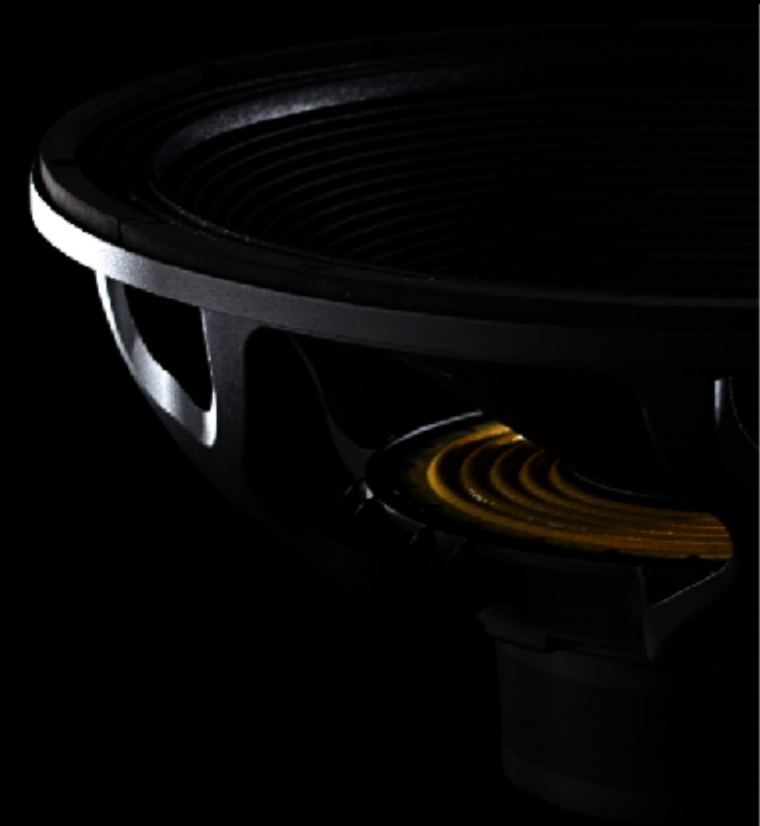


beyma  **FR-6CM**

FULL RANGE 2 WAY SYSTEM 6"

6CMV2 - CD1Fe - TD-8060



TECHNICAL SPECIFICATIONS

<i>Frequency response (±3 dB)</i>	91 Hz - 20 kHz
<i>Usable bandwidth (-10 dB)</i>	76 Hz - 20 kHz
<i>Maximum SPL (*)</i>	123.5 dB
<i>Sensitivity 1W@1m</i>	94 dB
<i>HxV Coverage angle (-6 dB)</i>	80°x60°
<i>Transducers LF:</i>	6CMV2
<i>Transducers HF:</i>	CD1Fe coupled to TD-8060
<i>AES power handling:</i>	220 W
<i>Nominal impedance:</i>	8 Ω
<i>Connectors:</i>	2 x NL4
<i>Box Dimensions (**):</i>	214 x 374.5 x 235 (Birch Plywood 12mm)

() Peak level at 1 m under free field conditions using pink noise with 2 crest factor (6 dB).
 (**) All dimensions in this files are in millimeters.*

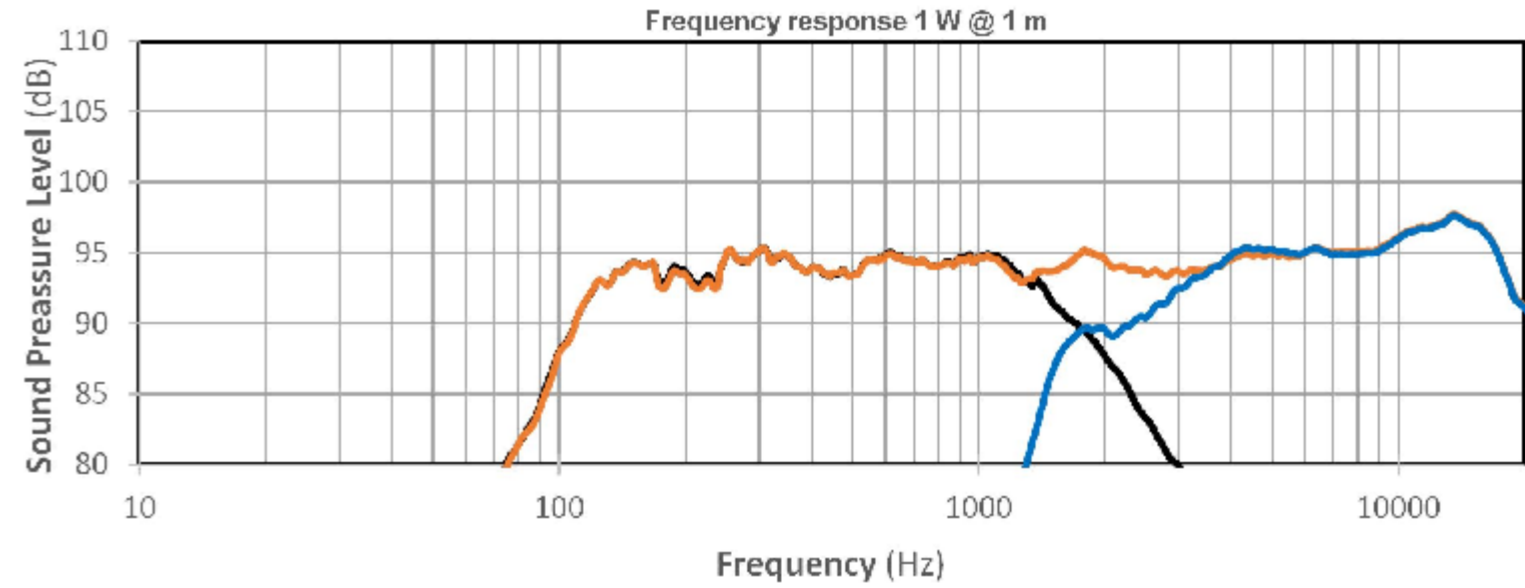


PRESETS

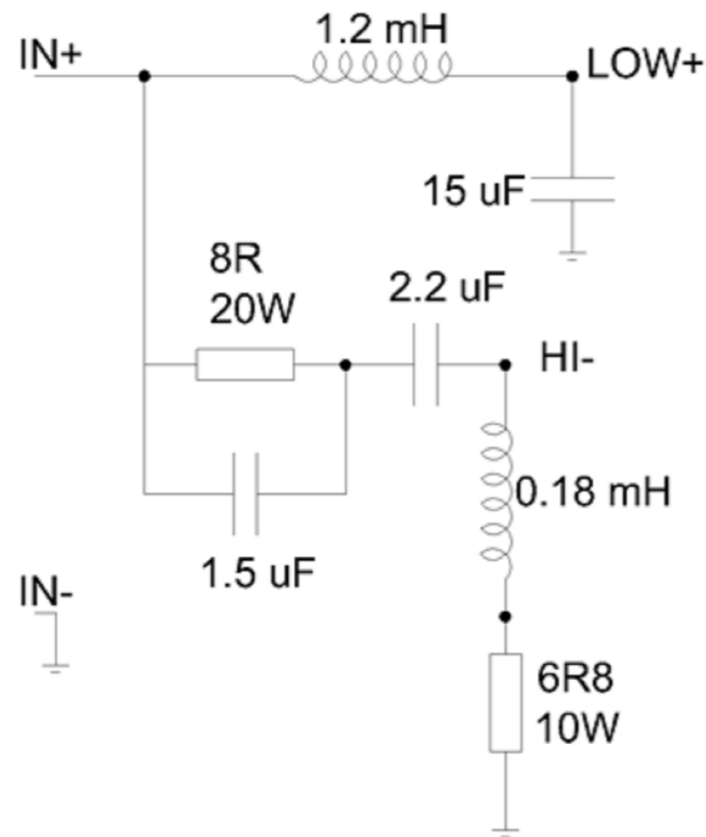
FR-6CM	f (Hz)	Q	Gain (dB)
1	144	1,5	+4,5
2	325	3	-2
3	1890	3	-2,5
LIMITER (*)	Threshold	Attack	Release
	3 dBu	11	110

**for 32 dB Gain amplifier*

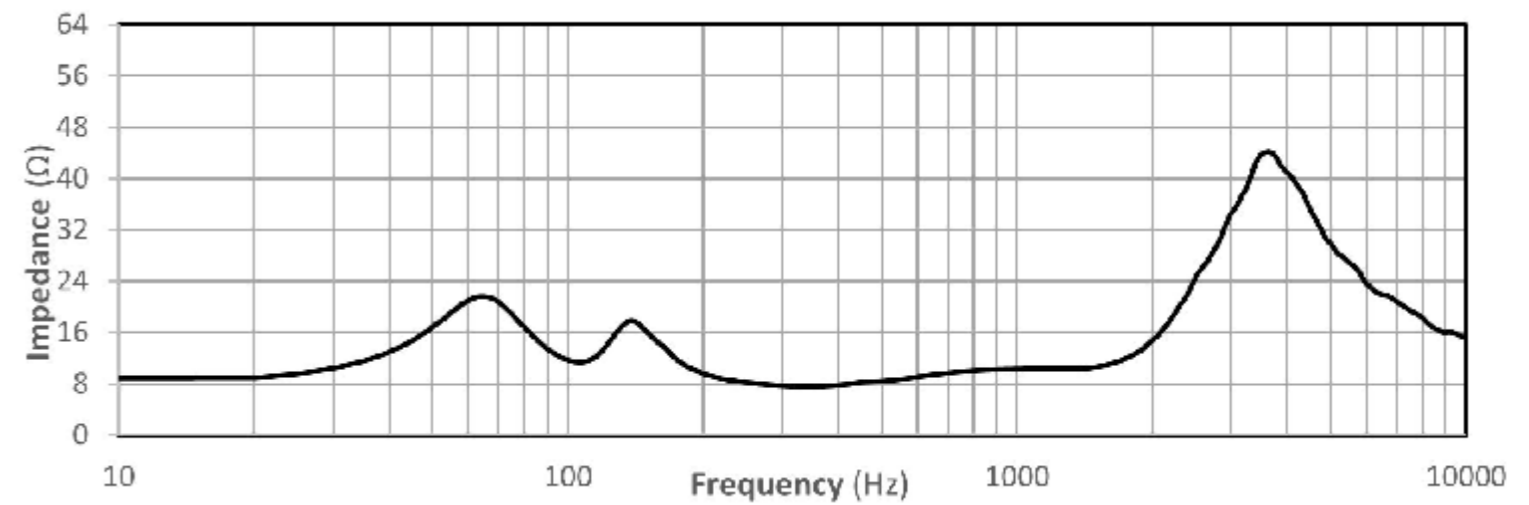
FREQUENCY RESPONSE



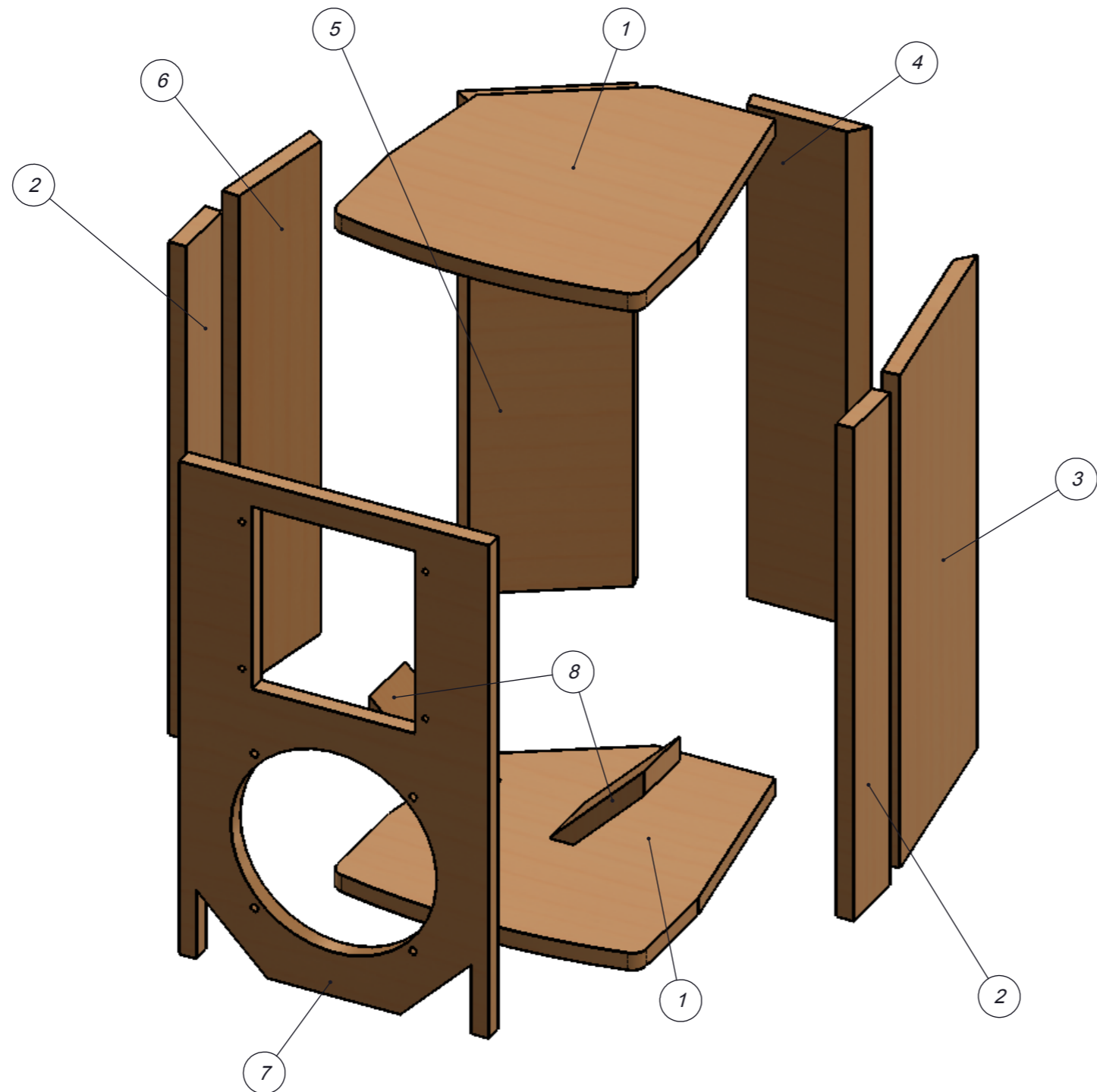
PASSIVE CROSSOVER DESIGN



IMPEDANCE



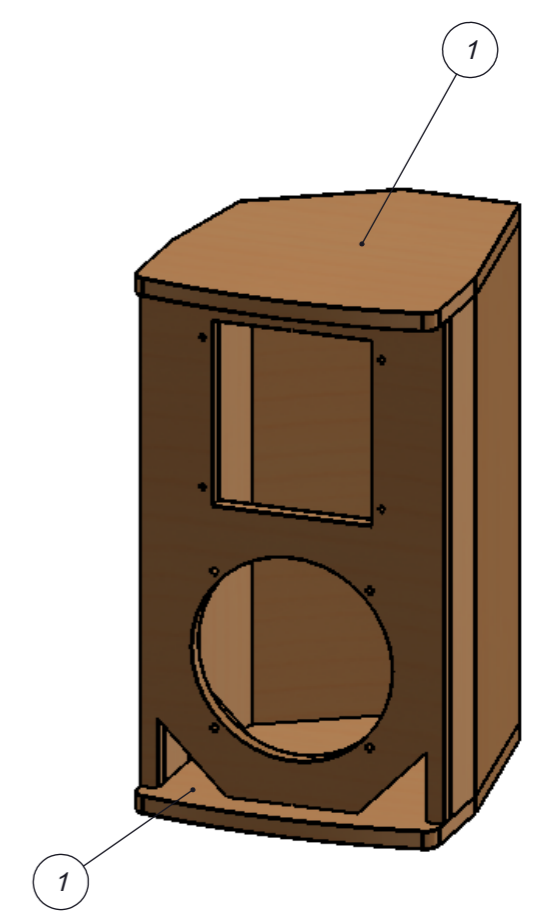
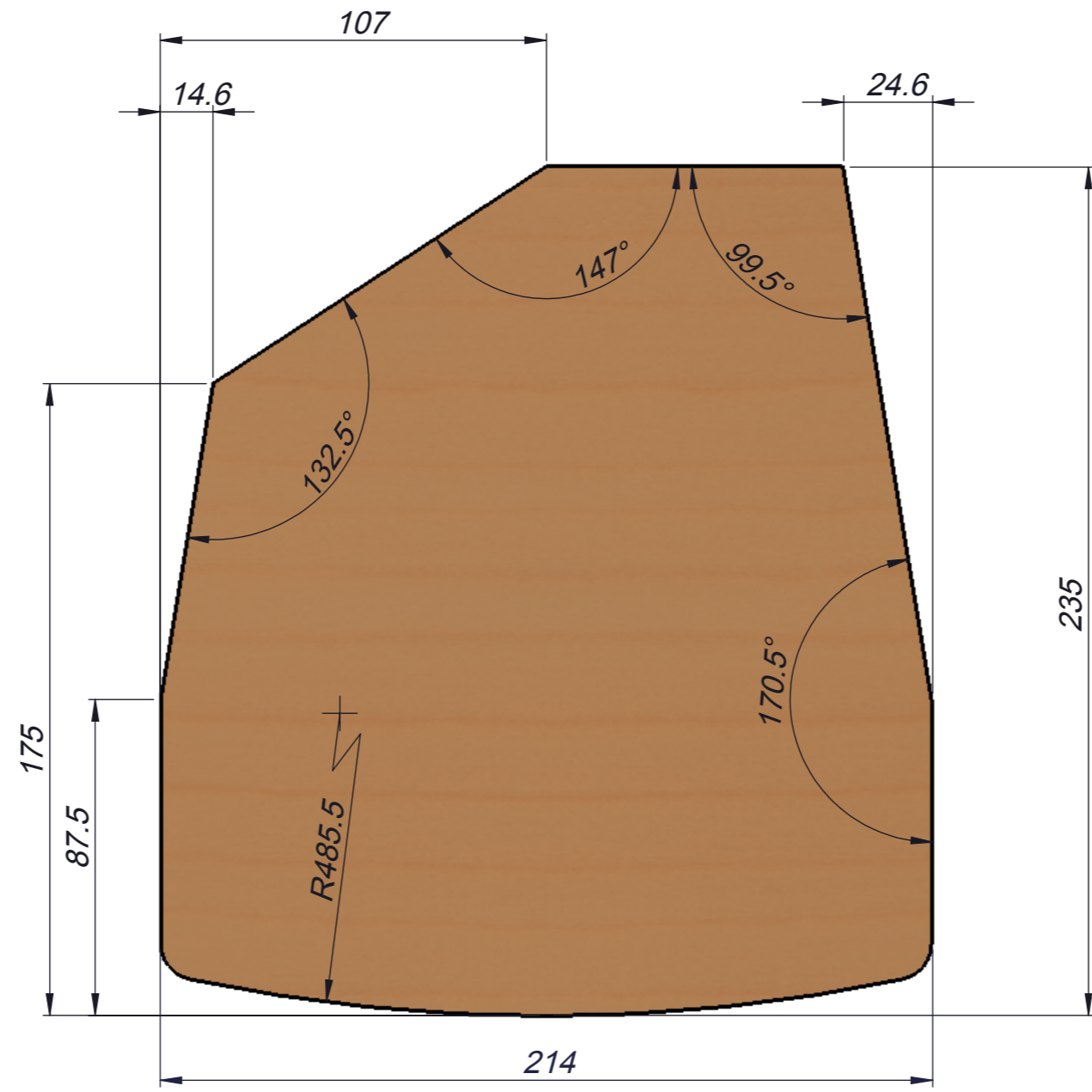
EXPLODED VIEW



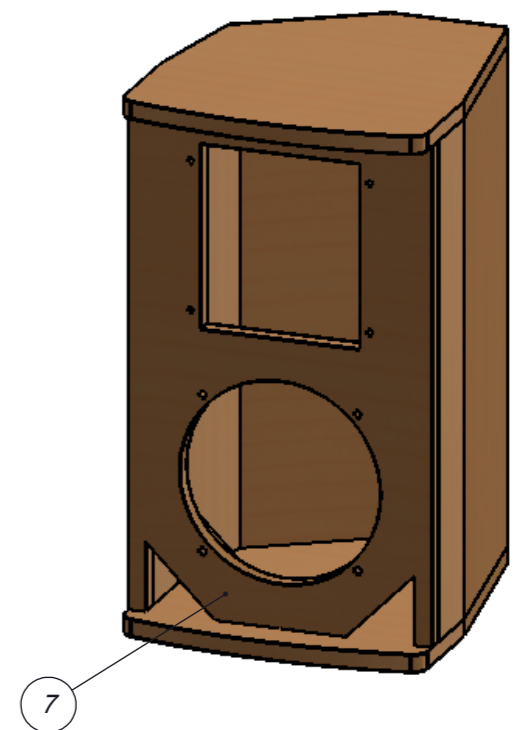
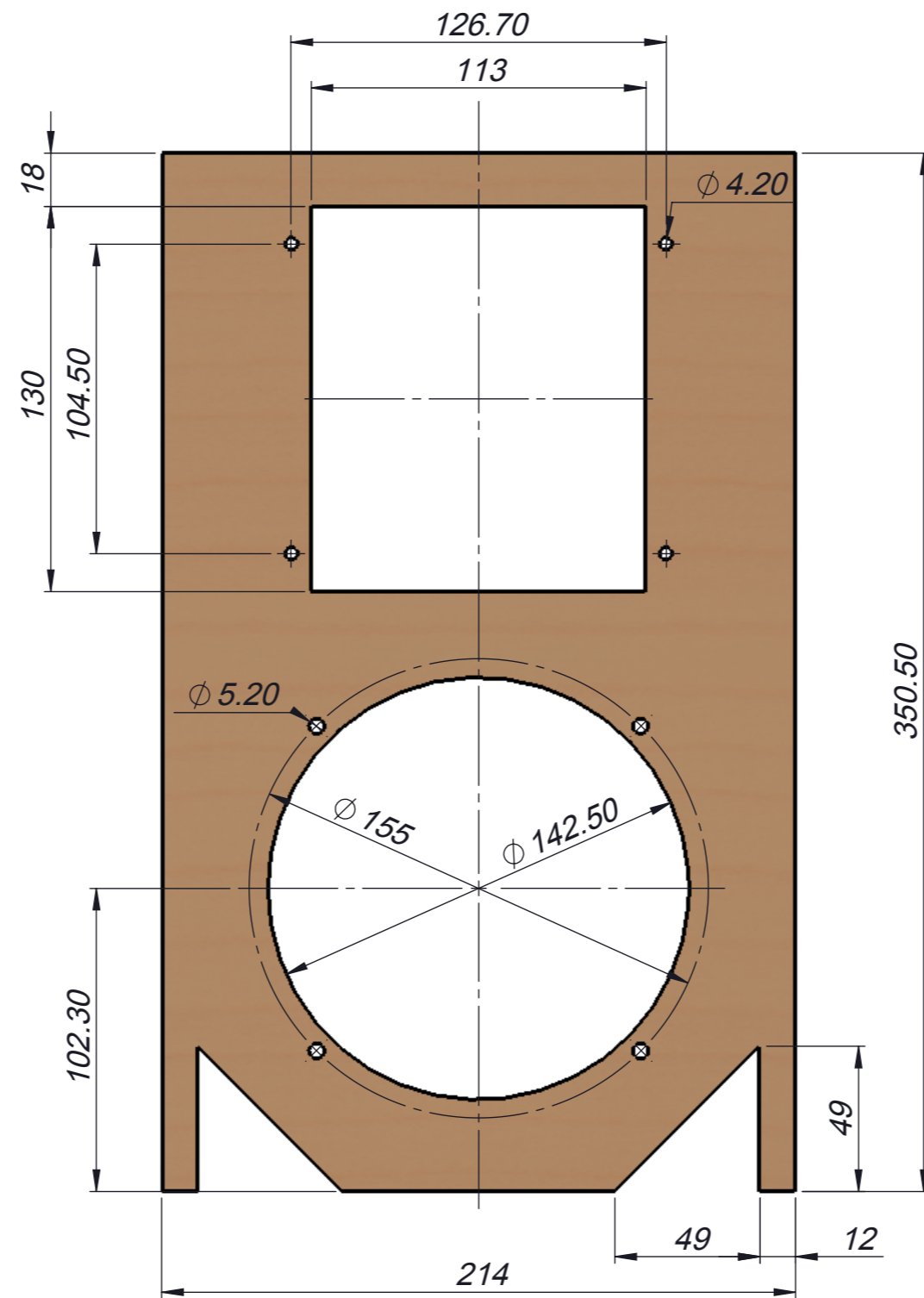
PARTS LIST

ITEM N°.	PART DIMENSIONS	QTY.
1	214 x 235 x 12	2
2	47.5 x 350.5 x 12	2
3	149.5 x 350.5 x 12	1
4	82.4 x 350.5 x 12	1
5	110.2 x 350.5 x 12	1
6	88.7 x 350.5 x 12	1
7	214 x 350.5 x 12	1
8	93.3 x 46.5	2

TOP AND BOTTOM PARTS

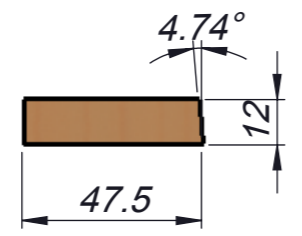


FRONT PANEL

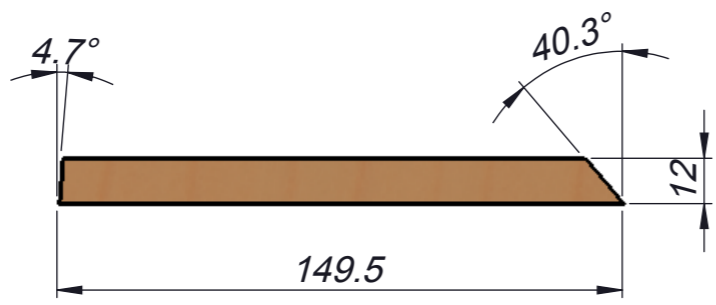


SIDES

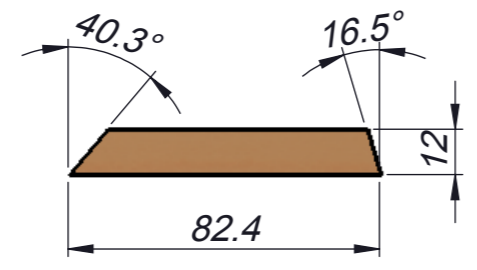
② x 2



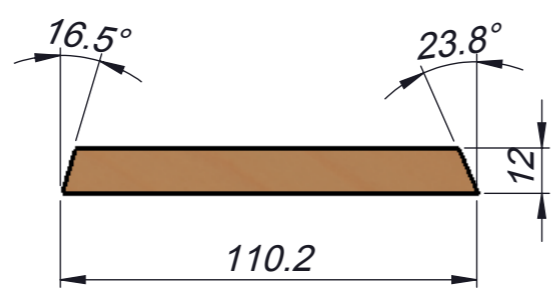
③



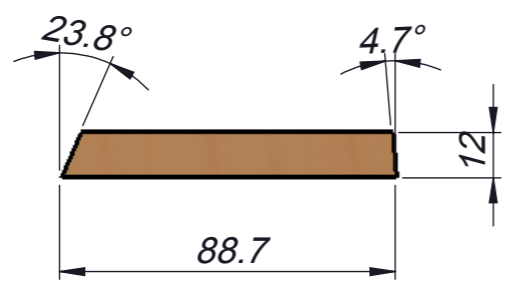
④



⑤

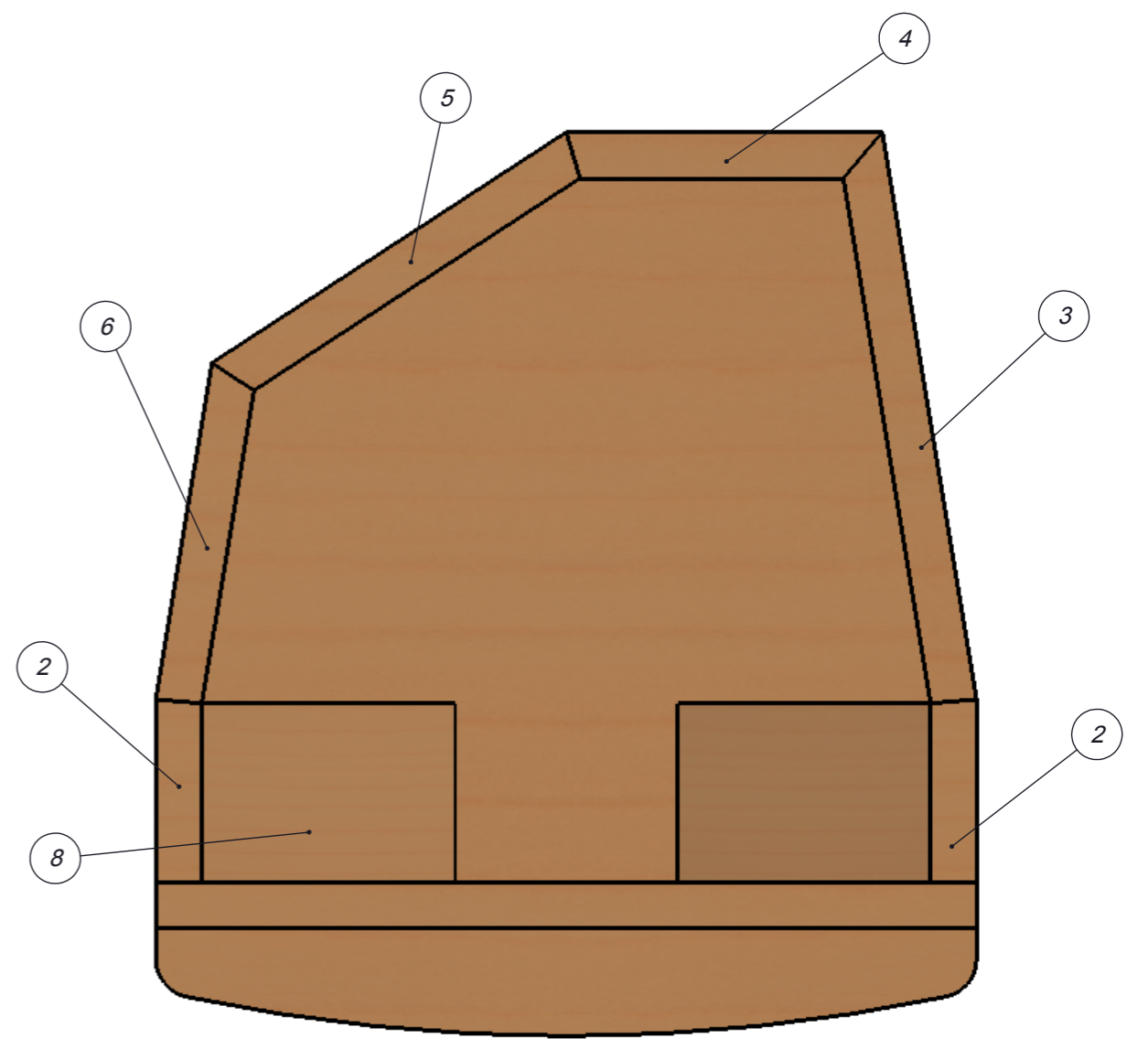
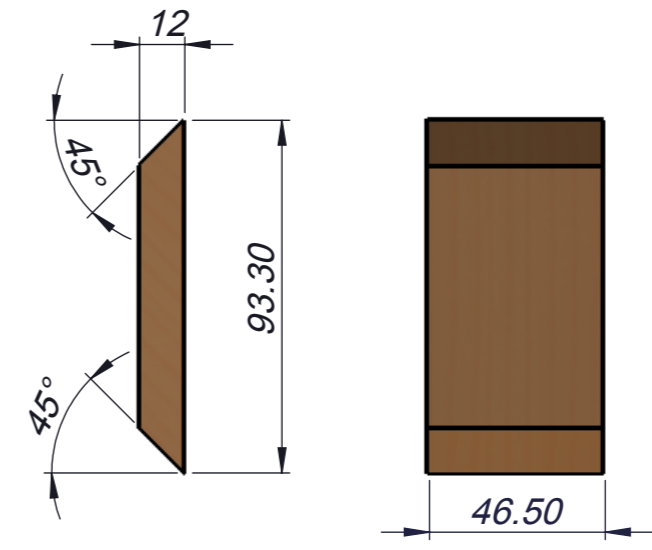


⑥



VENT

⑧



beyma  **FR-CM**

FULL RANGE 2 WAY SYSTEM SERIES

